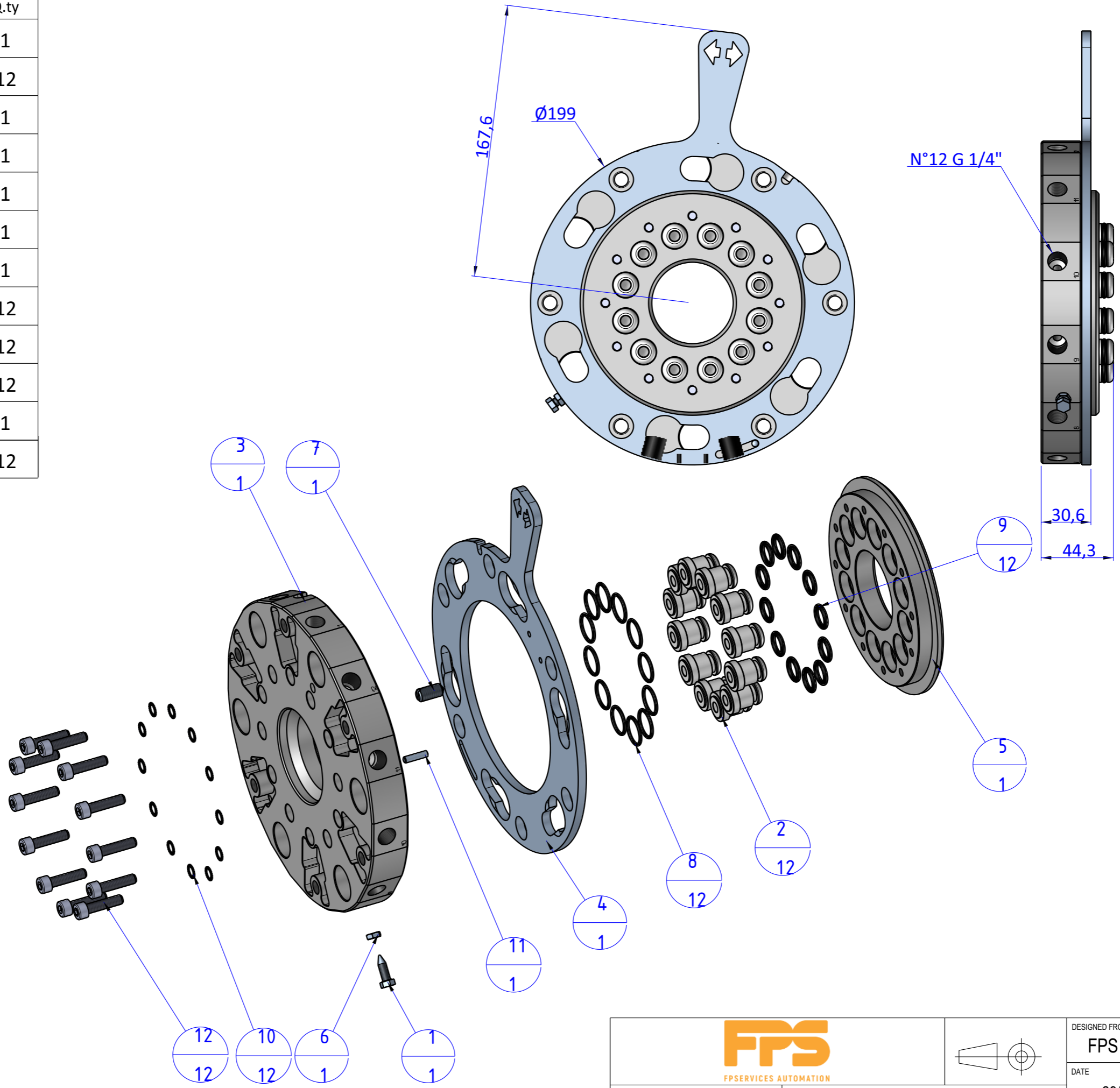

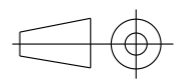


THE PROPERTY OF THE DRAWING IS ESTABLISHED BY LAW. IT IS FORBIDDEN TO PRODUCE OR SHOW IT TO THIRD PART. WITHOUT A WRITTEN AGREEMENT.

Item	Name	Q.ty
1	01.01.001.08	1
2	01.01.003.04	12
3	CUSL.200.R.01	1
4	CUSL.200.R.02L	1
5	CUSL.200.R.03	1
6	D.B5	1
7	EL.GN.33131	1
8	OR.2062	12
9	OR.3043	12
10	R.6.SCH	12
11	SP.4x16	1
12	V.TCE6x25	12



Format A3
UNI 936-76

 FPS FPSERVICES AUTOMATION			DESIGNED FROM FPS Automation	REVIEW A
GENERAL TOLERANCE UNI - ISO 2768 CLASSE f		DESCRIPTION CA.CUSL.200.R		DATE 29/03/2021
		WEIGHT 2.409Kg		CODE CA.CUSL.200.R